

FEATURES

- Mineral insulated
- Spring loaded design
- Ceramic block with Ni-plated or Silver plated terminals

APPLICATION

- Spares / Replacements

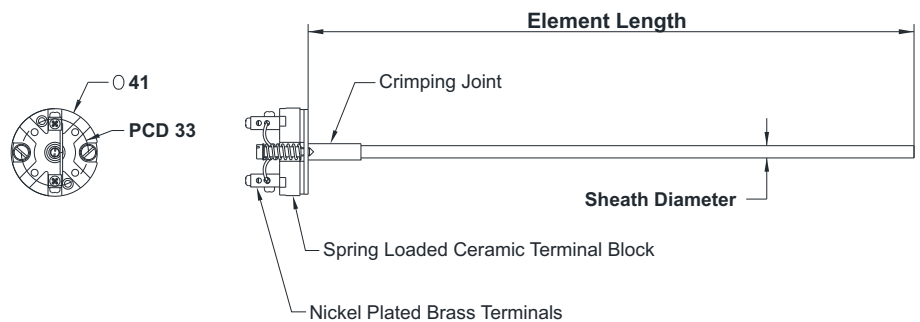
Spring Loaded Terminal Block



STANDARD SPECIFICATIONS

Element	:	Type K (NiCr-Ni)
Accuracy	:	Standard to ISA & ANSI MC96.1
No. of sensors	:	Simplex
Hot junction	:	Ungrounded
Sheath material	:	AISI 316 SS
Sheath diameter	:	6.0 mm
Cold-end termination	:	Spring Loaded Terminal Block
	:	(OD = 41 mm, PCD = 33 mm)
Total length	:	150 mm

DIMENSIONAL DRAWING



REFERENCE

IEC-584.2 / ANSI MC-96.1

ORDERING CODES

1. ELEMENT

K	Type K (NiCr-Ni)
J	Type J (Fe-CuNi)
N	Type N (NiCrSi-NiSi)
E	Type E (NiCr-CuNi)
T	Type T (Cu-CuNi)
R	Type R (Pt-13%Rh/Pt)
S	Type S (Pt-10%Rh/Pt)
B	Type B (Pt/30%Rh-Pt/6%Rh)

K

2. ACCURACY

P	Standard
Q	Special

P

3. NO. OF SENSORS

V	Simplex
W	Duplex
X	Triplex

V

4. HOT JUNCTION

G	Grounded
U	Ungrounded

U

5. SHEATH MATERIAL

MF	AISI 316 SS
MG	AISI 316L SS
ME	AISI 310 SS
MQ	Inconel 600

MF

6. SHEATH DIAMETER

M30	3.0 mm
M50	5.0 mm
M60	6.0 mm
M80	8.0 mm

M60

7. COLD-END TERMINATION

KY	Terminal block, spring loaded Ø41mm / PCD33mm
KZ	Terminal block, spring loaded Ø55mm / PCD46mm

KY

8. ELEMENT LENGTH (EL)

XXXXX	50 mm up to 10,000 mm
--------------	-----------------------

150

9. OTHER OPTIONS

TB	Calibration Certificate
XF	Tag plate, AISI 304 SS

XX

Ordering Example : T204-K-P-V-U-MF-M60-KY-150

NOTES:

1. Other sheath diameters, connections are available, please contact factory for details.