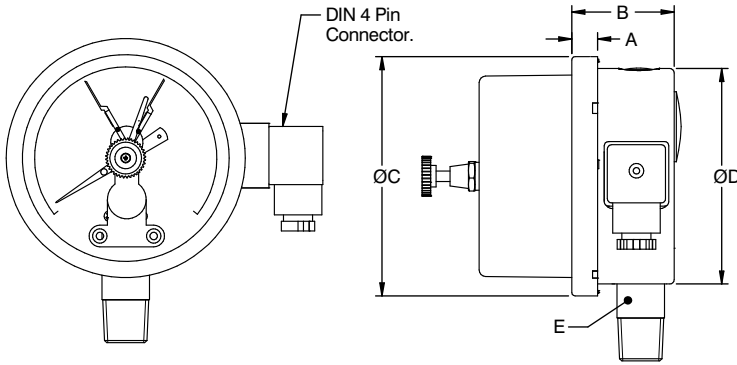


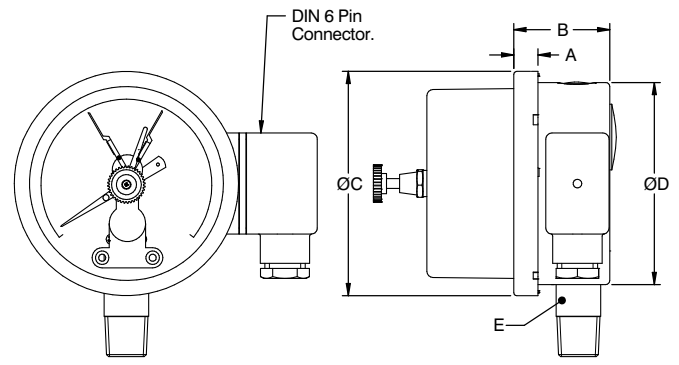
DIMENSIONAL DRAWING

Type B0



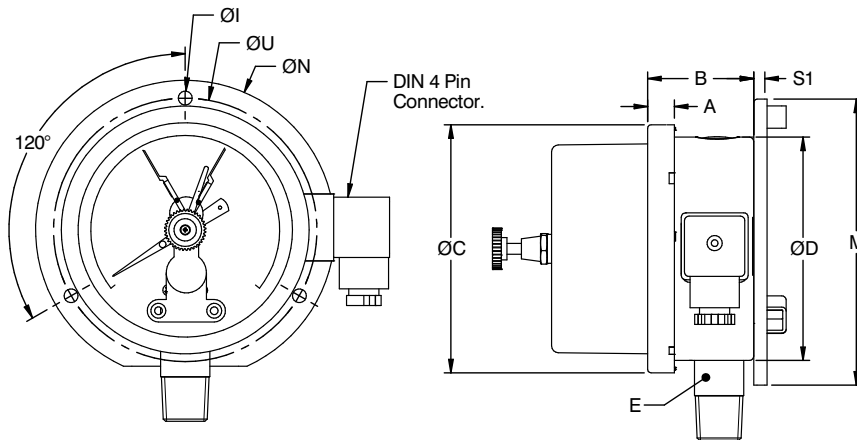
DN	A	B	ØC	ØD	E	Weight (grams)
100	12	48	111	100	SQ.22	580
150	15	48	161	149	SQ.22	980

Type B0



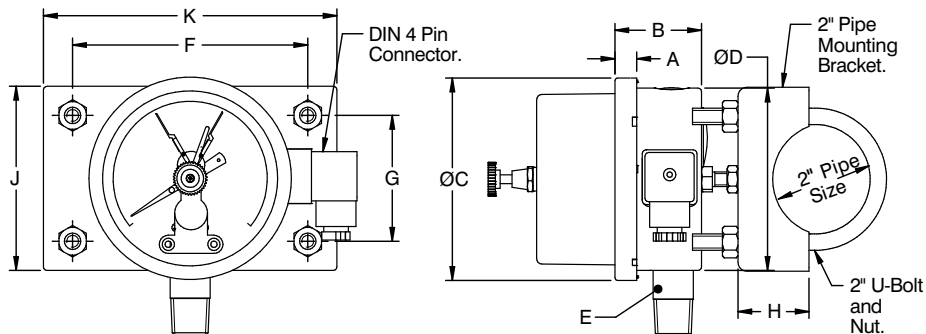
DN	A	B	ØC	ØD	E	Weight (grams)
100	12	48	111	100	SQ.22	590
150	15	48	161	149	SQ.22	990

Type B1



DN	A	B	ØC	ØD	E	ØI	M	ØN	S1	ØU	Weight (grams)
100	12	48	111	100	SQ.22	6	128	134	6	118	687
150	15	48	161	149	SQ.22	6	172.4	186	6	168	1080

Type B2

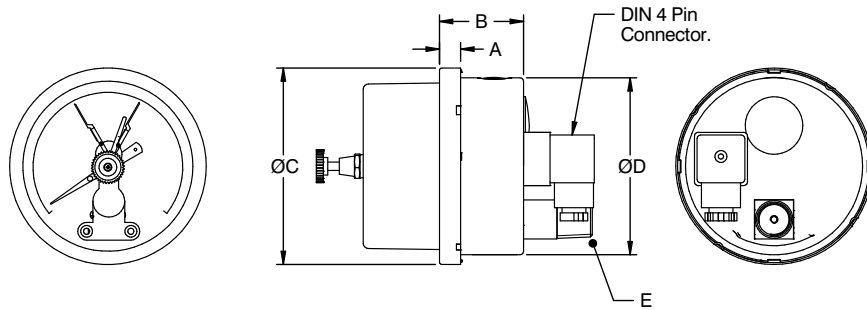


DN	A	B	ØC	ØD	E	F	G	H	J	K	Weight (grams)
100	12	48	111	100	SQ.22	129	69	39	101	161	1654
150	15	48	161	149	SQ.22	129	69	39	101	161	1994

All dimensions are in mm.

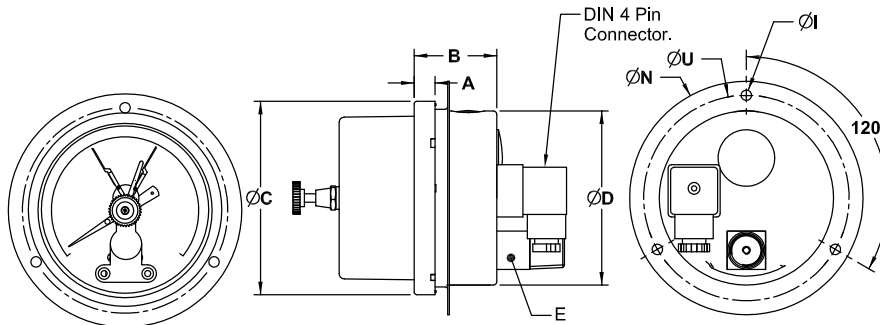
DIMENSIONAL DRAWING

Type L0



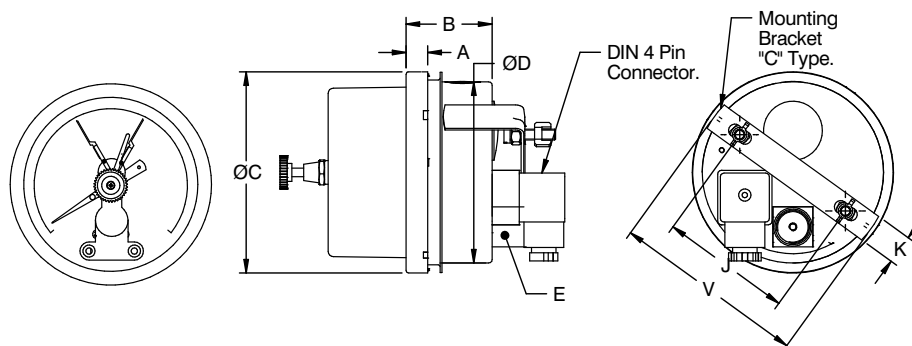
DN	A	B	ØC	ØD	E	Weight (grams)
100	12	48	111	100	SQ.22	580
150	15	48	161	149	SQ.22	980

Type L1



DN	A	B	ØC	ØD	E	ØI	ØN	ØU	Weight (grams)
100	12	48	111	100	SQ.22	6	134	118	654
150	15	48	161	149	SQ.22	6	186	168	1050

Type L2



DN	A	B	ØC	ØD	E	J	K	V	Weight (grams)
100	12	48	111	100	SQ.22	72	16	108	669
150	15	48	161	149	SQ.22	106.5	16	158.5	1070